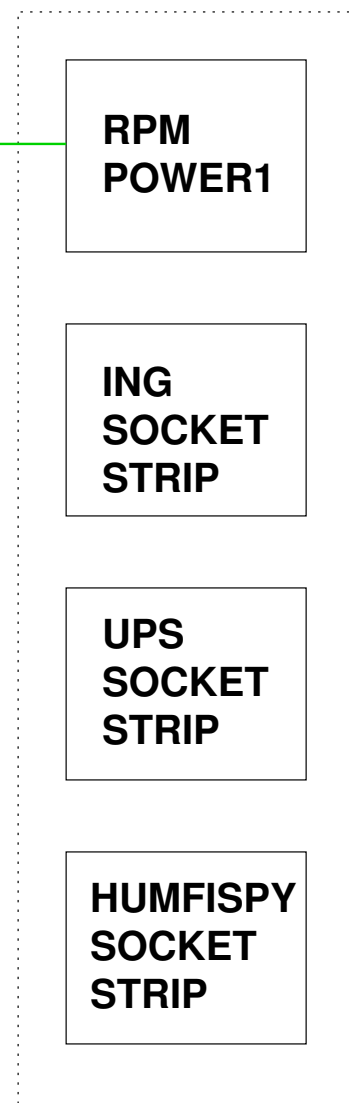
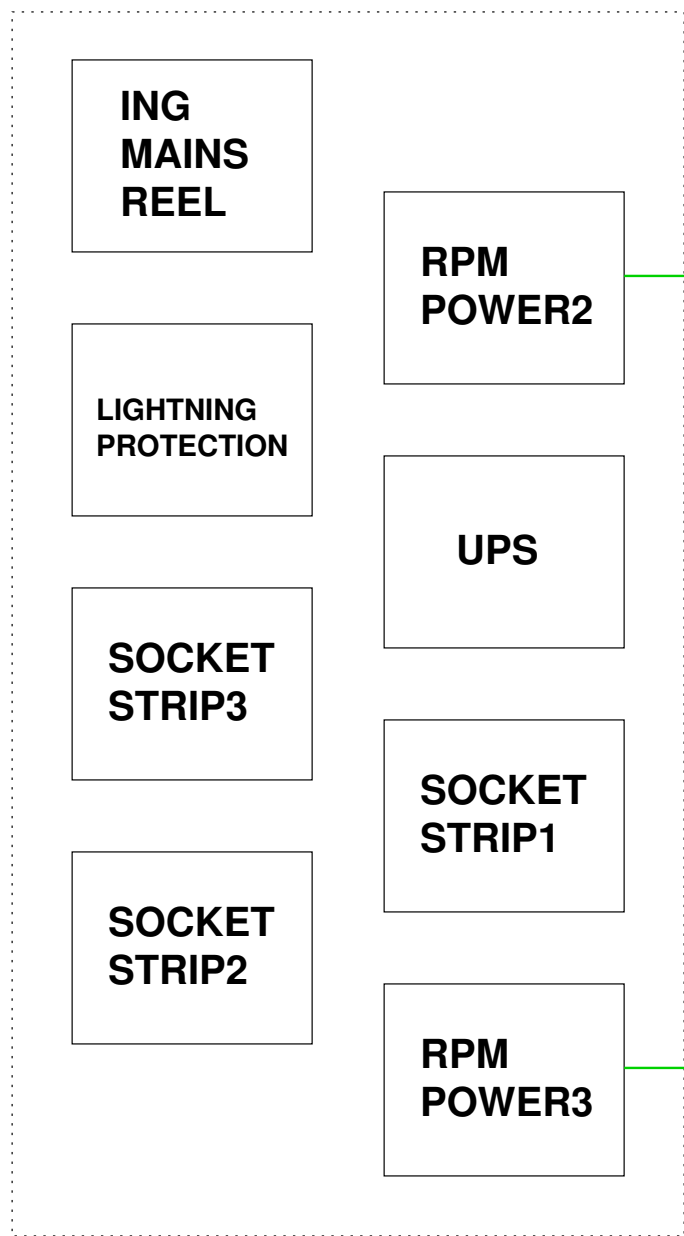


LIFT-ROOM POWER

DOME POWER



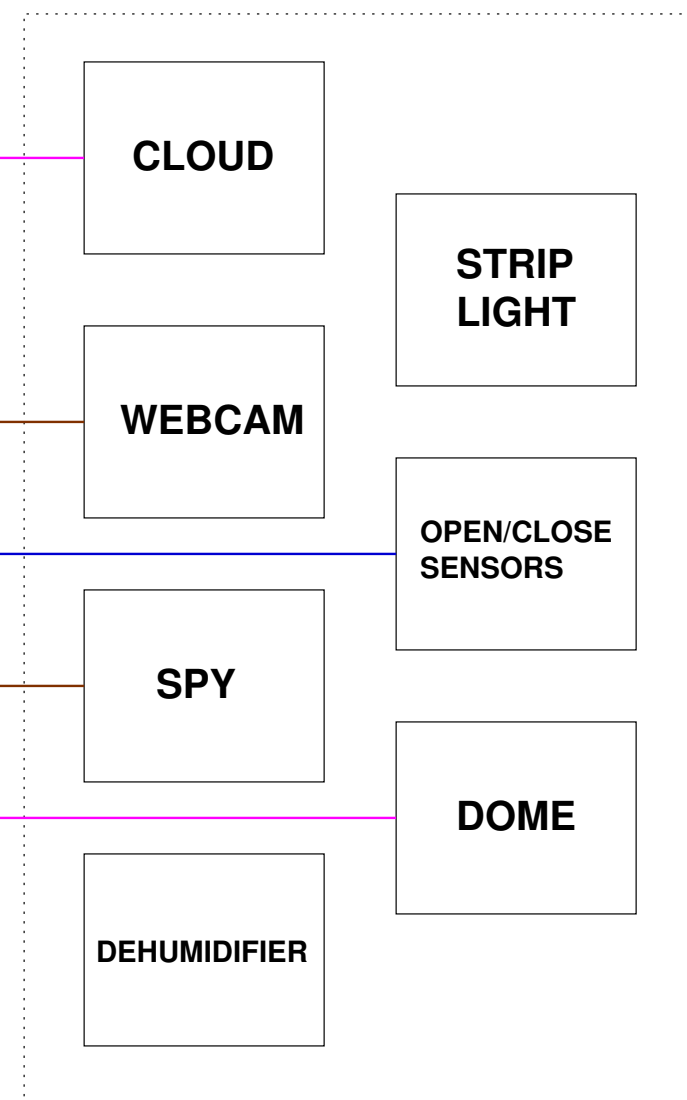
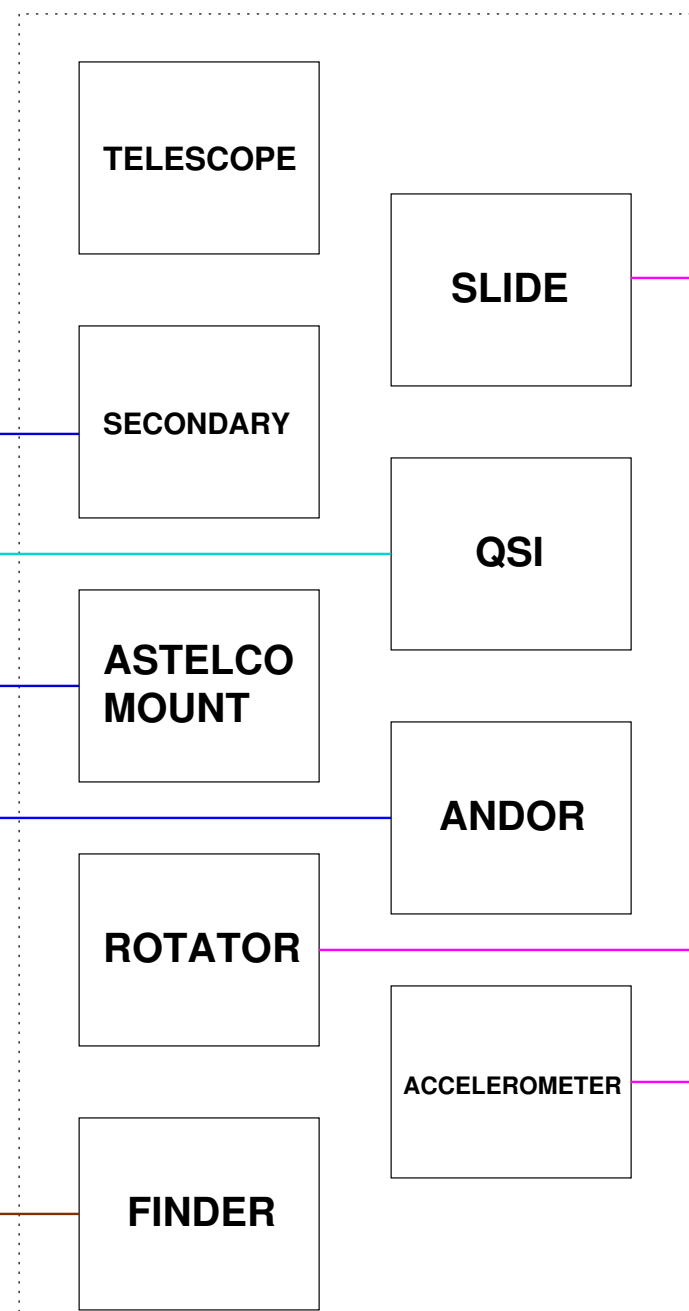
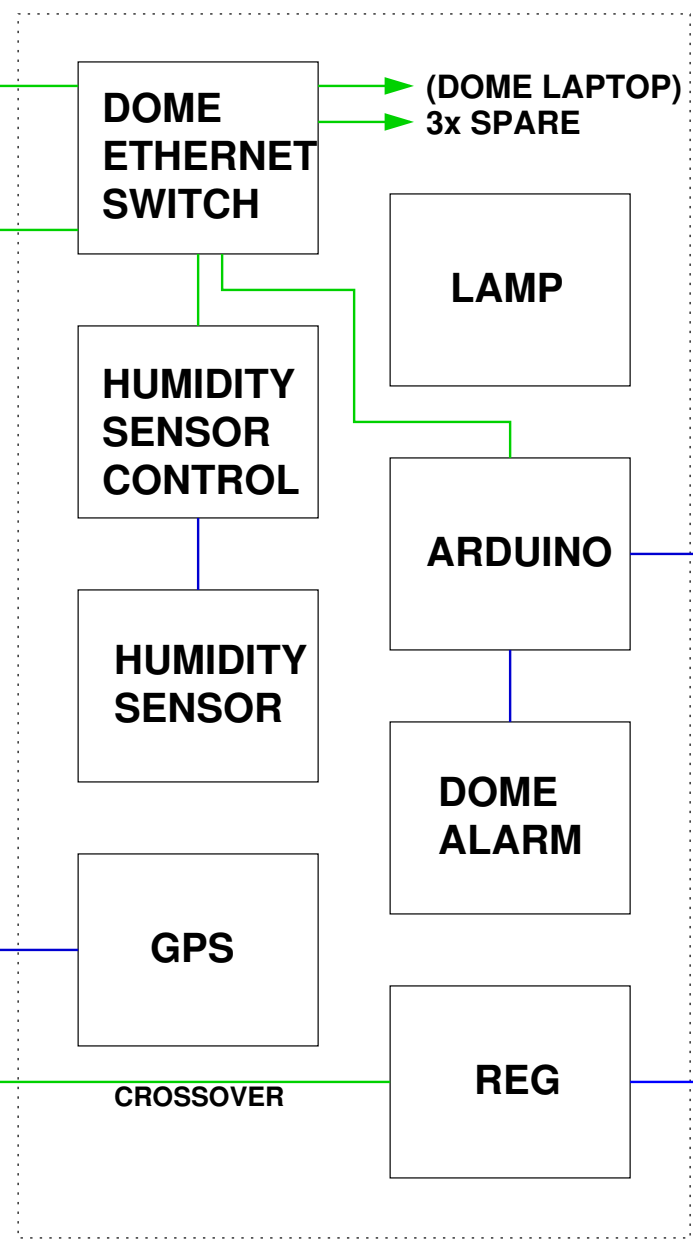
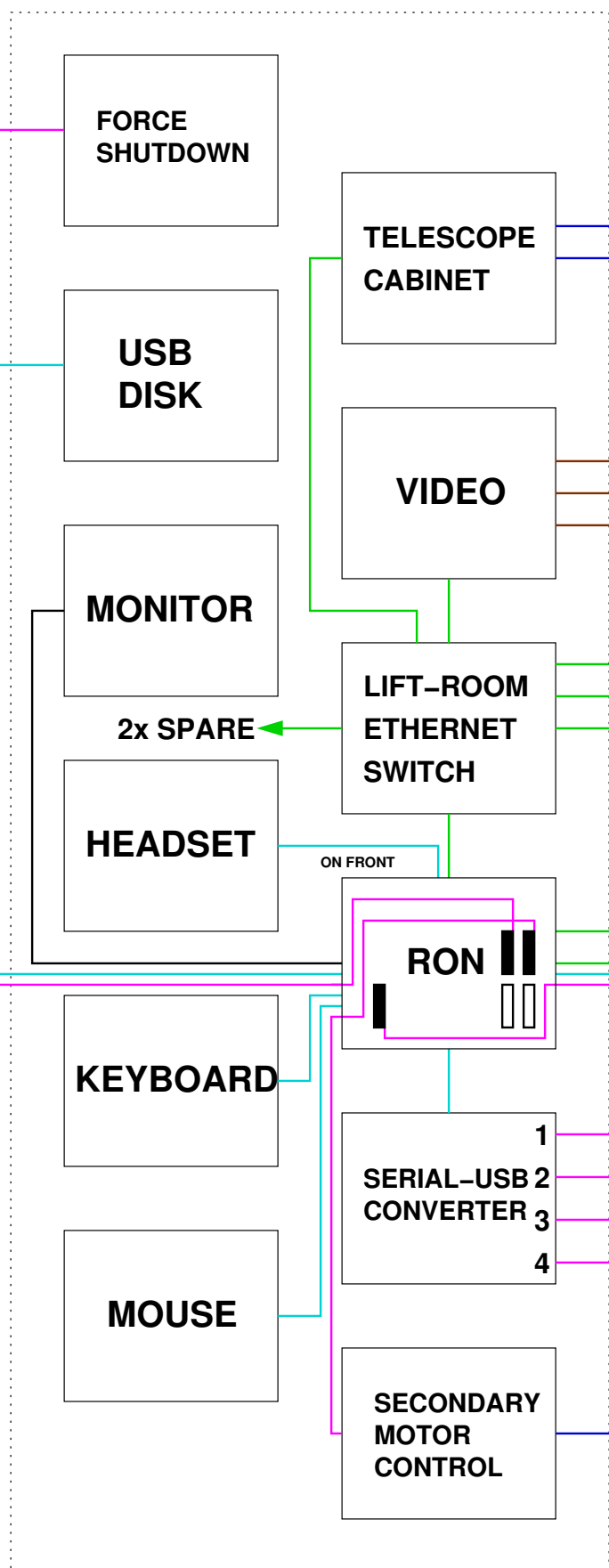
ING LINK TO OUTSIDE WORLD
CABLE RUNS FROM LIFT SHAFT ROOM , UNDER THE METAL FLOOR OUTSIDE TO THE DOME, THEN BACK THROUGH THE NEW TUNNEL INTO THE LIFT SHAFT ROOM!

LIFT-ROOM ENCLOSURE

DOME DESK

SCOPE

DOME OTHER



pt5m DATA

VSD 21-Jan-2013

- USB
- ETHERNET
- CUSTOM
- SERIAL
- VIDEO
- HDMI